

# SPECIFICATIONS

## ELECTRICAL:

CURRENT RATING: 1.5AMPS  
 VOLTAGE RATING: 125VAC  
 INSULATION RESISTANCE: >1000M OHMS  
 WITHSTANDING VOLTAGE : AC 1000V 50 OR 60HZ 1MIN  
 CONTACT RESISTANCE: <30 MOHMS  
 OPERATING TEMPERATURE : -40C TO 85C  
 STORAGE TEMPERATURE: -40C TO 85C  
 INFLAMMABILITY COMPLIANCE: 94V-0  
 ENVIRONMENTAL: FLC68  
 WAVE SOLDERING TEMP.: 265C +/-5

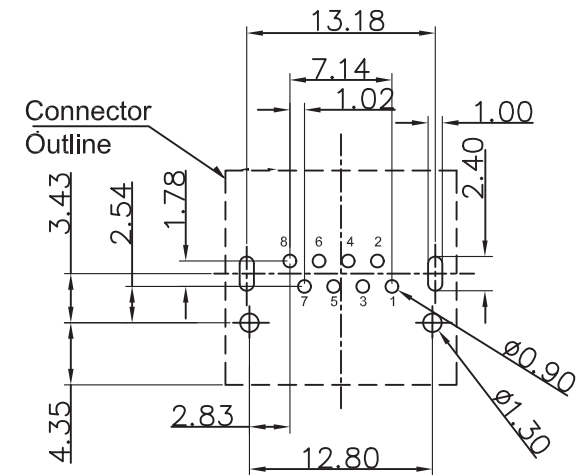
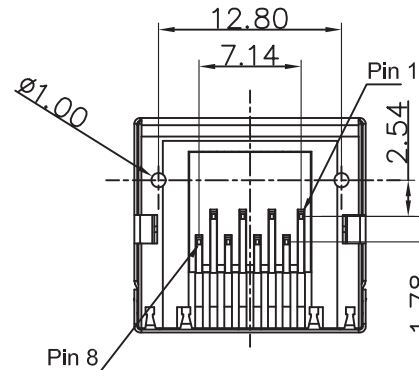
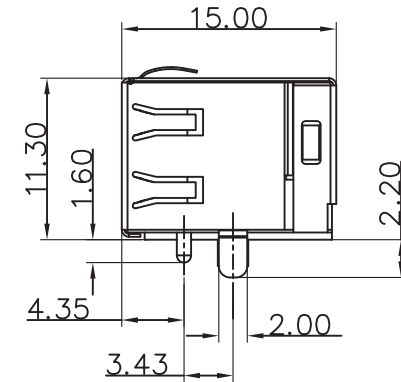
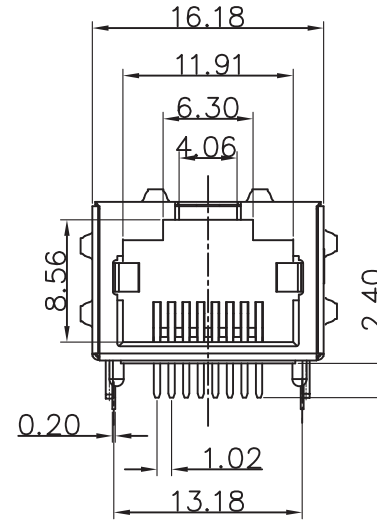
## MECHANICAL

MATING FORCE: 5-25N  
 RETENTION STRENGTH: ≥ 76N  
 DURABILITY: ≥ 750CYCLE

## MATERIAL

HOUSING: LCP FILLED WITH FIBERGLASS  
 INSIDE CHIP: LCP FILLED WITH FIBERGLASS  
 TERMINAL PARTS UNDERPLATING: 30U MIN NICKEL OVERALL.  
 RJ TERMINAL: PH. BRONZE, THICKNESS: 0.3MM  
 FINISH: 15u GOLDEN PLATING IN CONTACT AREA  
 INPUT TERMINAL: BRASS THICKNESS: 0.3MM  
 FINISH: 100U INCH MIN TIN  
 SHIELD: 0.2MM COPPER ZINC ALLOY (7440-50-80) WITH NICKEL PLATED.

MATES WITH MODULAR PLUG CONFORMING TO FCC PART 68, SUBPART F. SUITABLE FOR CAT 5e



SUGGESTED PCB LAYOUT



Tolerance:		Part No.:		
.xxx ± 0.10	.x ± 0.38	PRJ-1100083LNL		
.xx ± 0.25	x ± 0.50	Revision		Drawing No.:
Design	XiaoMing	A	Quality	
Check		Proportion		Page 1 Total 1
Design	XiaoMing			
Check				
Standard				
Approval	TSLee			

D	Change the plastic material to LCP	12/7/18	
C	Change the shield pins length to 2.20	4/21/17	
B	Add tolerance	3/17/17	
A	New Release	3/7/17	
REV	Change notice	Date	