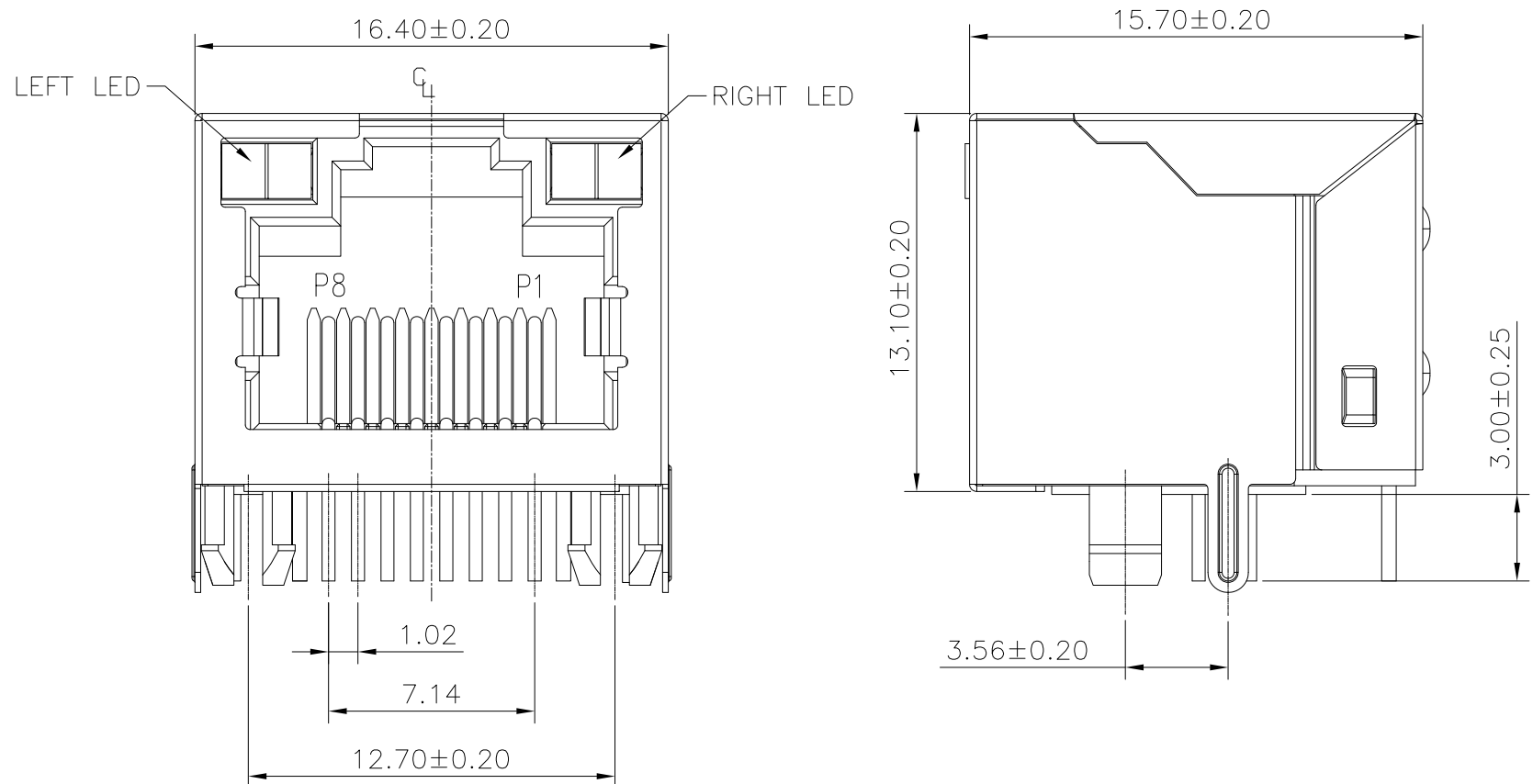


环保物料



SPECIFICATION NOTES:

ELECTRICAL:

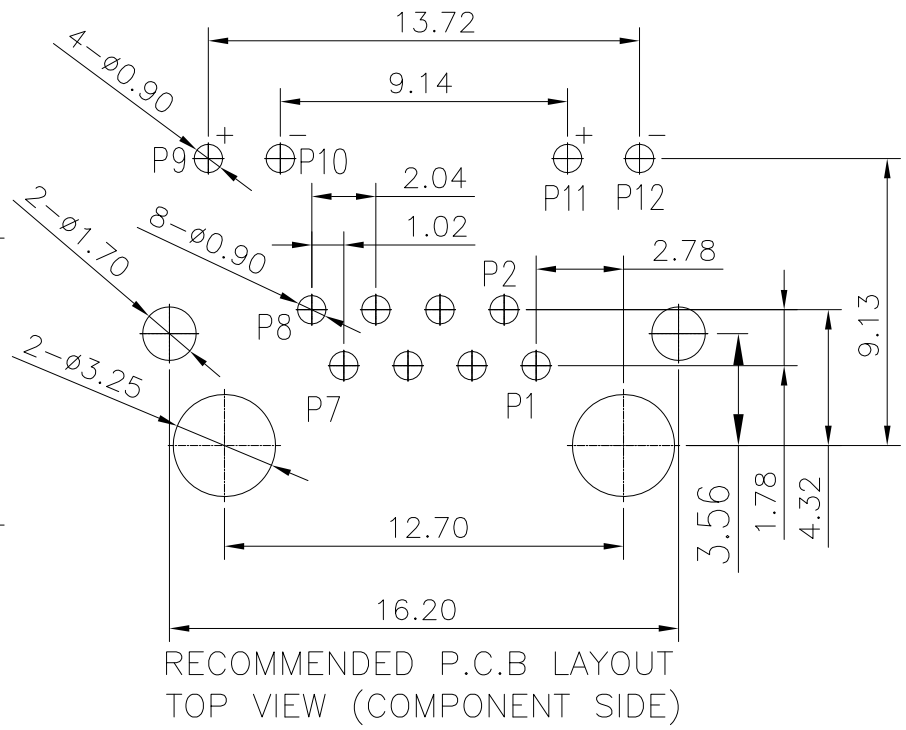
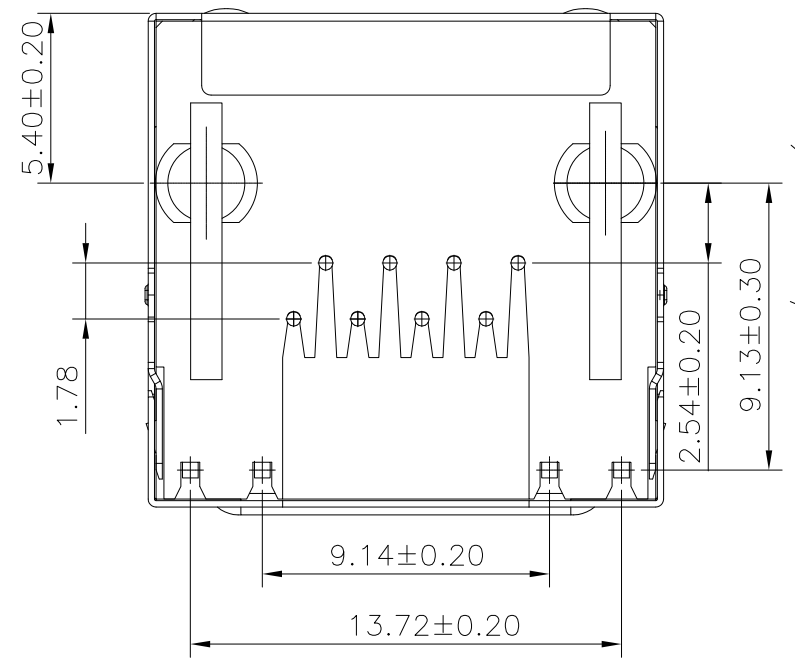
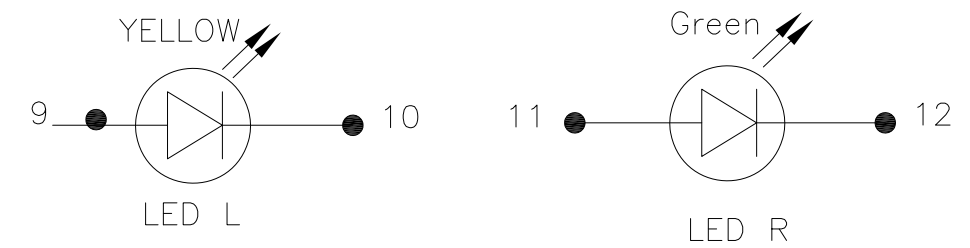
1. VOLTAGE RATING: 125 VAC RMS
2. CURRENT RATING: 1.5 AMP
3. CONTACT RESISTANCE: 30mΩ MAX.
4. INSULATION RESISTANCE: 1000MΩ MIN. AT 500V DC.
5. DIELECTRIC STRENGTH: 1000 VAC 50Hz 1MINUTE

ENVIRONMENTAL:

1. STORAGE: -40°C TO +85°C
2. OPERATION: -40°C TO +85°C

NOTE:

1. MATERIAL:
 - 1.1 HOUSING: THERMOPLASTIC UL94V-0 BLACK
 - 1.2 CONTACT: 0.46mm DIA COPPER ALLOY
 - 1.3 SHELL: COPPER ALLOY
2. FINISH:
 - 2.1 CONTACT: GOLD PLATED OVER
 - 2.2 SHELL: NICKEL PLATING OVERALL

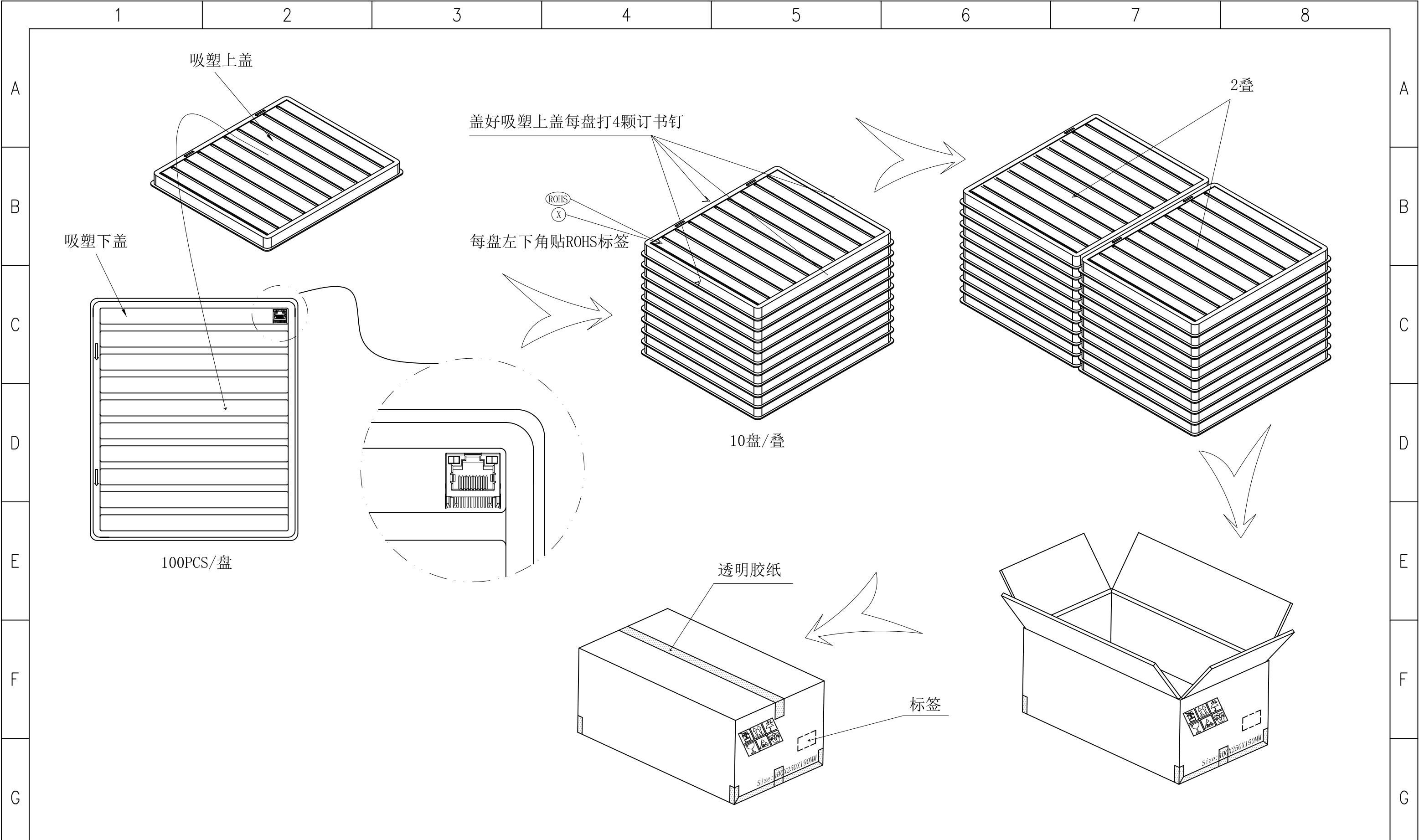


PIN NO.	PIN NAME
1	Transmit +
2	Transmit -
3	Receive +
4	N/A
5	N/A
6	Receive -
7	N/A
8	N/A

N45-1 D13 D R 1 8 B H-1 XX
1 2 3 4 5 6 7 8 9 10 11

- 1.N45:RJ45
- 2.1:单体
- 3.D13=板上高度13.10
- 4.D:DIP
- 5.R:90°
- 6.外壳和柱子 1:外壳+双柱
- 7.8:8PIN
8. B:PBT
- 9.TYPE 码 H: 常规
- 10.是否带灯 1.左黄右绿
- 11.Contact Area plating on contacts
01: G/F 03: Au 3u"

REV.	REVISION RECORD	DATE	GENERAL TOLERANCES		SCALE	NAME	DATE	PART NO.	DWG NO.												
AO	The new version file were released	2017.09.11	LINEAR	ANGLES	1:1			N45-1D13DR18BH-1XX	ENDE05												
A1	换图框发行	2024.07.22	0.0±0.35	X° REF±6°	APPROVED																
			0.00±0.25	X° ±3°	DESIGNER																
			0.000±0.15	X° X' ±2°	DRAWN	Xiao	24.07.22					TITLE									



REV.	REVISION RECORD	DATE		GENERAL TOLERANCES		SCALE 1:1	2000PCS/箱	DATE	PART NO.	DWG NO.				
AO	The new version file were released	2017.09.11		LINEAR	ANGLES	APPROVED			N45-1D13DR18BH-1XX	ENDE05				
A1	换图框发行	2024.07.22	UNIT: MM	0.00±0.25	X° ±3°	DESIGNER			TITLE		REV	A1	SHEET	2/2
			SIZE: A4	0.000±0.15	X° X' ±2°	DRAWN	Xiao	24.07.22	RJ45 8P8C 90° 铜壳 DIP 带灯 PH1.02					