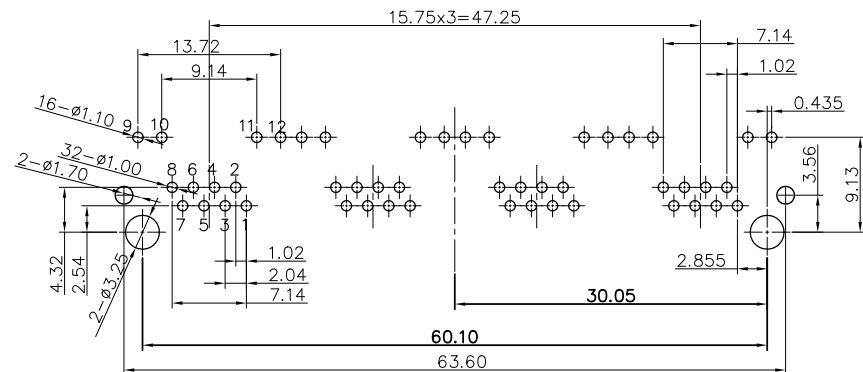
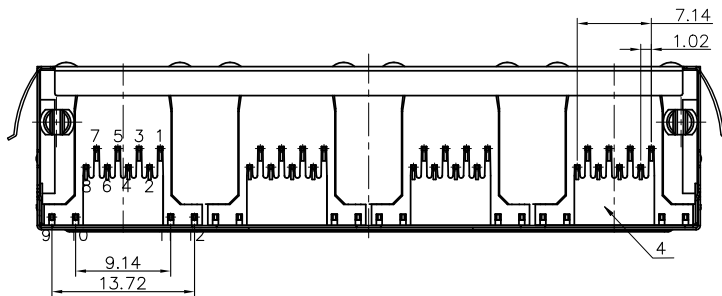
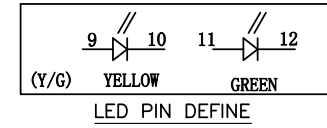
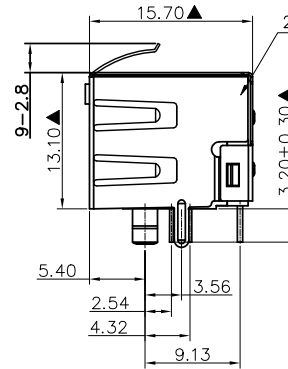
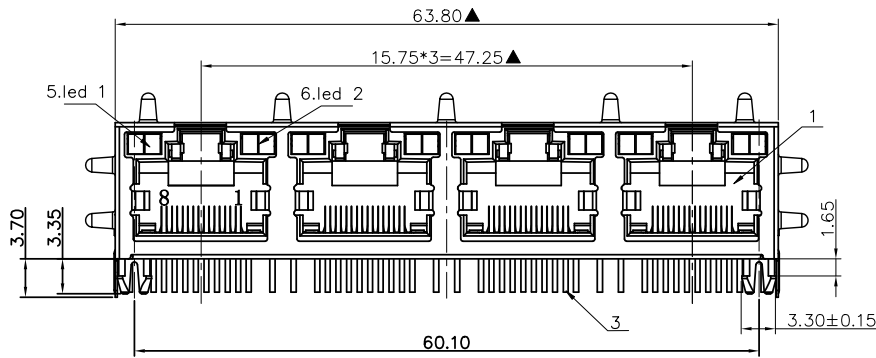


NO.	ECN NO.	DESCRIPTION	REV.	DRAW	DATE
1.					
2.					
3.					



RECOMMENDED P.C.B LAYOUT TOP VIEW
(COMPONENT SIDE TOLERANCE±0.05)

NOTES:

- Housing:Glass Filled PA46 BLACK UL94V-0(RoHS).
 - Shielding:0.2mm Thickness Copper Alloywith Nickel Plated.
 - Contact:t0.35x0.46 Phosphor Bronze(RoHS).
6u" GOLD PLATING ON CONTACT AREA.
50u"MIN NICKEL UNDERPLATED OVERALL.
80u"MIN MATTE-TIN ON SOLDER TAIL.
 - Insert:Glass Filled PBT BLACK UL94V-0(RoHS).
 - LED1:Yellow.
 - LED2:Green.
- ※MATES WITH MODULAR PLUG CONFORMING TO FCC PART 68, SUBPART F.
※The Dimensions Marked"▲" Symbols Are Stand For Key Characteristics.

产品客户图 Customer Drawing					未注公差 TOLERANCE UNLESS OTHERWISE SPECIFIED	.X ±0.35 .XX ±0.25 .XXX ±0.15 X° ±2°	方向电子 GLGNET			
比例SCALE	1:1	角法 PROJ.	第一角法	张数SHEET				1/1	大小 SIZE	A4
单位 UNIT	MM	版本 REV.	P0	品名 NAME				5631-Q-S-K9-F-1x4-L-8C-6A -91 (Y/G)		
设计 DESIGN		校对 CHECKED		料号 PART NO.				42611-91M151		
核准 APPROVED		图号 DWG NO.	GLGH-WL-393 GLGH-110519							