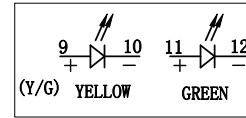
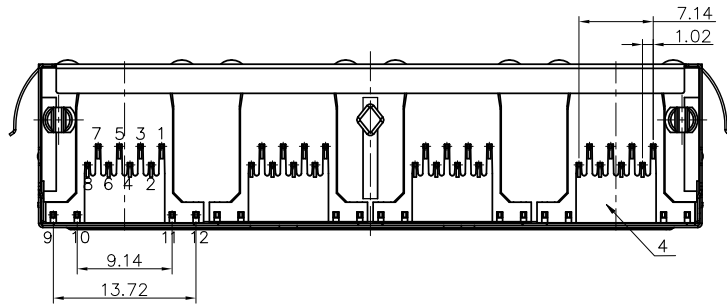
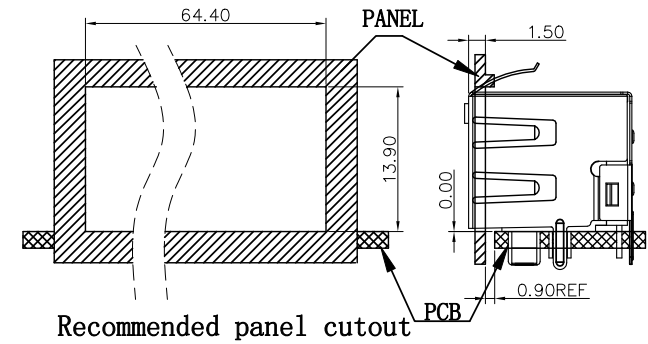
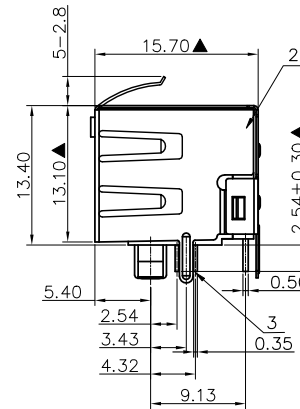
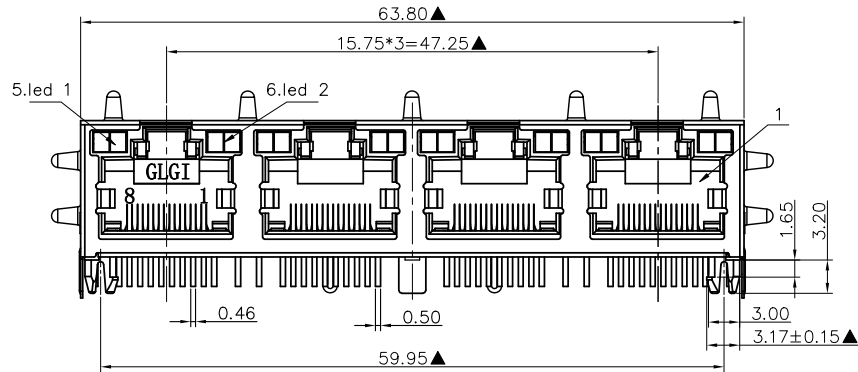


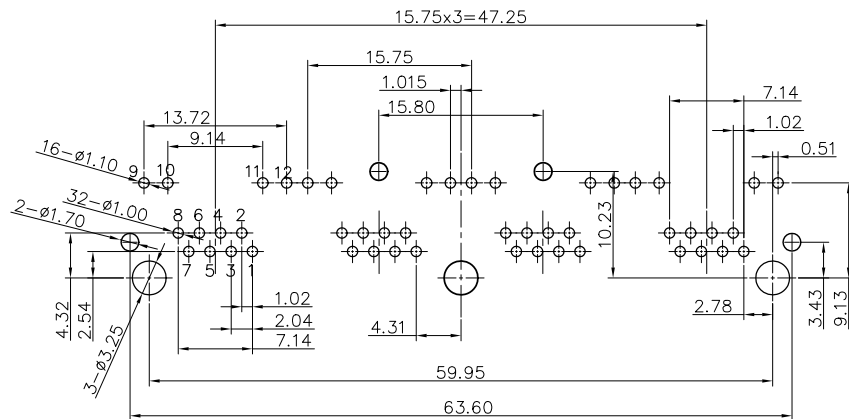
NO.	ECN NO.	DESCRIPTION	REV.	DRAW	DATE
1					
2					
3					



LED PIN DEFINE

NOTES:

- Housing: Glass Filled PA46 BLACK UL94V-0 (RoHS).
 - Shielding: 0.2mm Thickness Copper Alloy with Nickel Plated.
 - Contact: t0.35x0.46 Phosphor Bronze (RoHS).
6u" GOLD PLATING ON CONTACT AREA.
50u" MIN NICKEL UNDERPLATED OVERALL.
80u" MIN MATTE-TIN ON SOLDER TAIL.
 - Insert: Glass Filled PBT BLACK UL94V-0 (RoHS).
 - LED1: Yellow.
 - LED2: Green.
- ※ MATES WITH MODULAR PLUG CONFORMING TO FCC PART 68, SUBPART F.
※ The Dimensions Marked "▲" Symbols Are Stand For Key Characteristics.



RECOMMENDED P.C.B LAYOUT TOP VIEW
(COMPONENT SIDE TOLERANCE ±0.05)

产品客户图 Customer Drawing				未注公差 TOLERANCE UNLESS OTHERWISE SPECIFIED	.X ±0.35 .XX ±0.25 .XXX ±0.15 X° ±2°	方向电子 GLGNET
比例 SCALE	1:1	角法 PROJ.	第一角法			
张数 SHEET	1/1	大小 SIZE	A4			
单位 UNIT	MM	版本 REV.	P0			
设计 DESIGN				品名 NAME	5631-Q-S-K9-F-1x4-L-8C-II-6A-54(Y/G)	
校对 CHECKED				料号 PART NO.	42611-54M151	
核准 APPROVED				图号 DWG NO.	GLGH-WL-393 GLGH-110519	