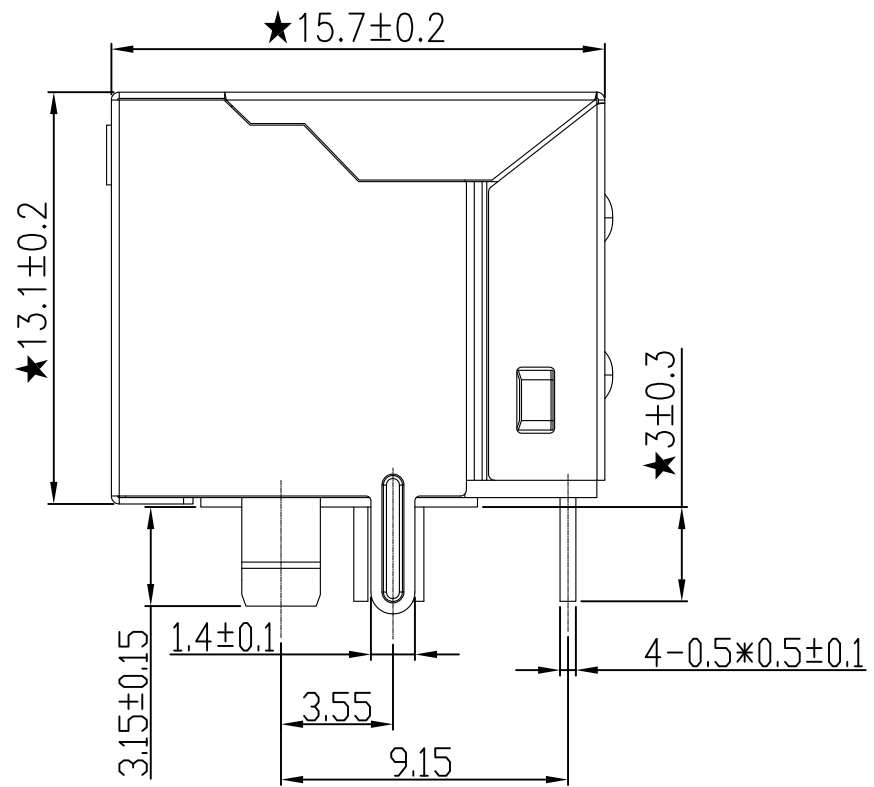
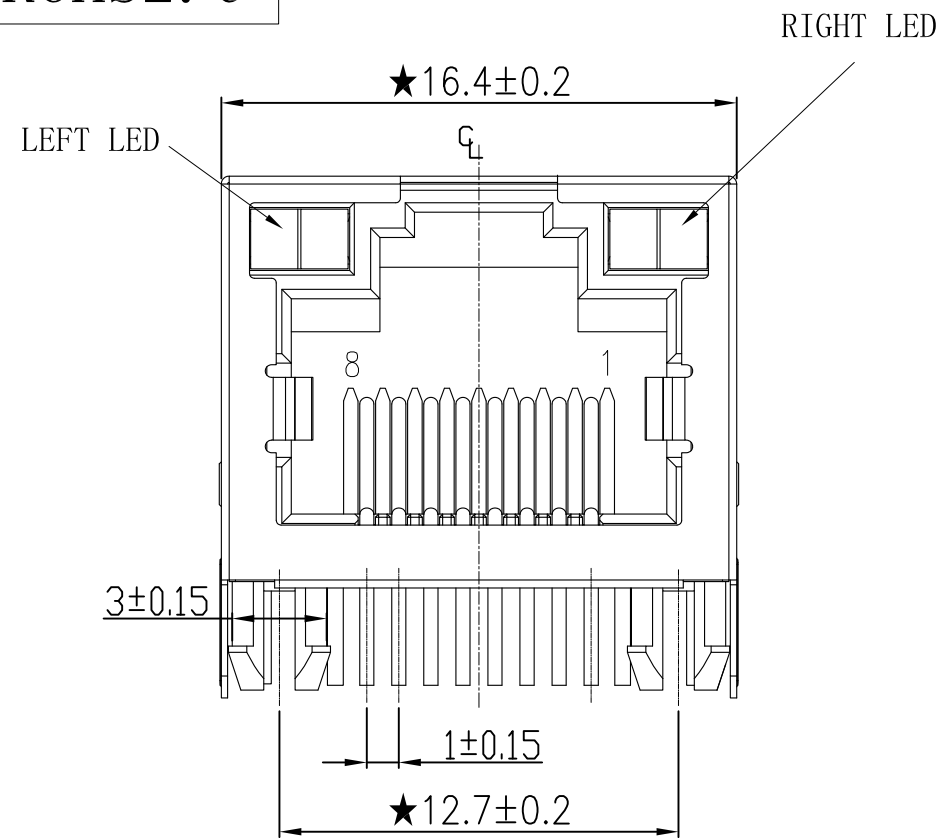


ROHS2.0

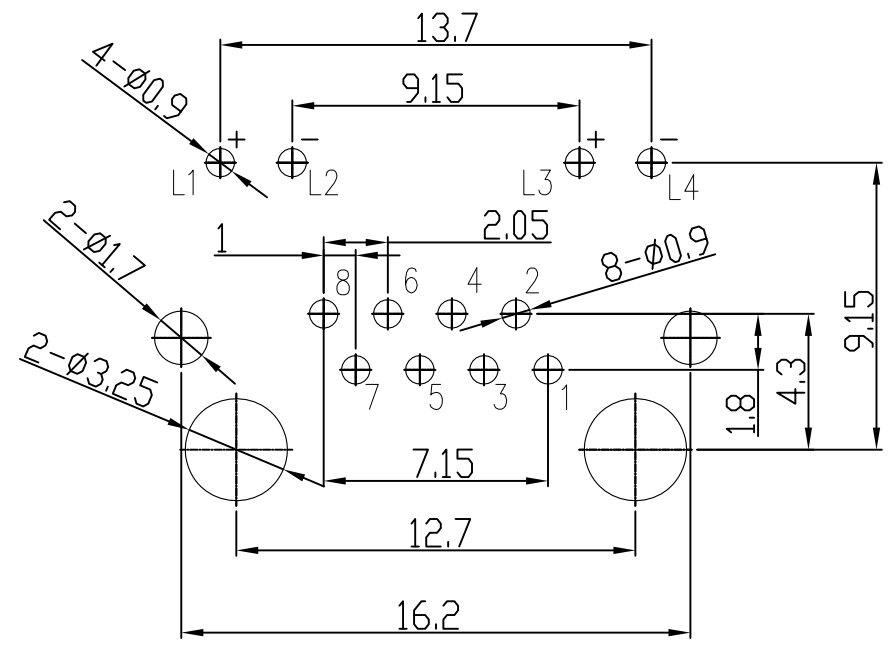
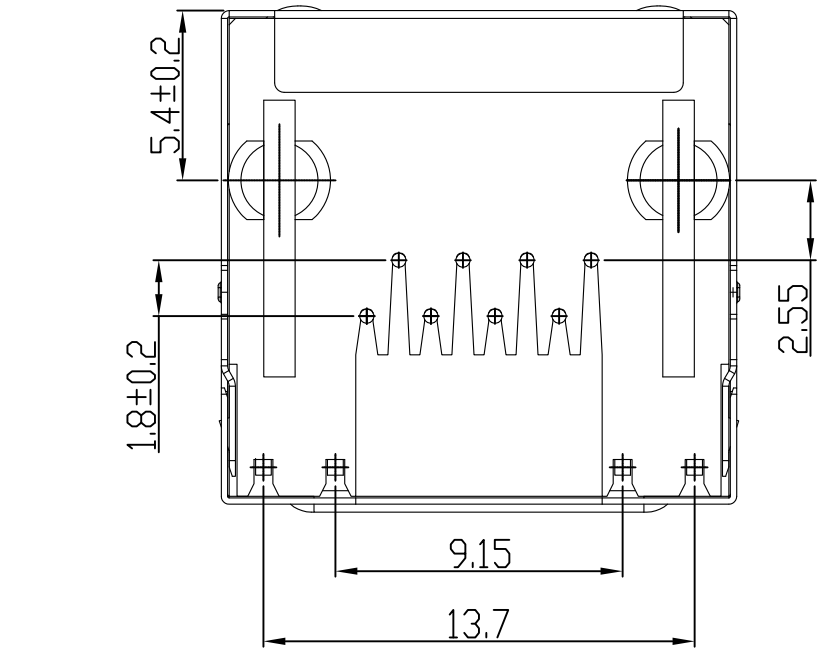
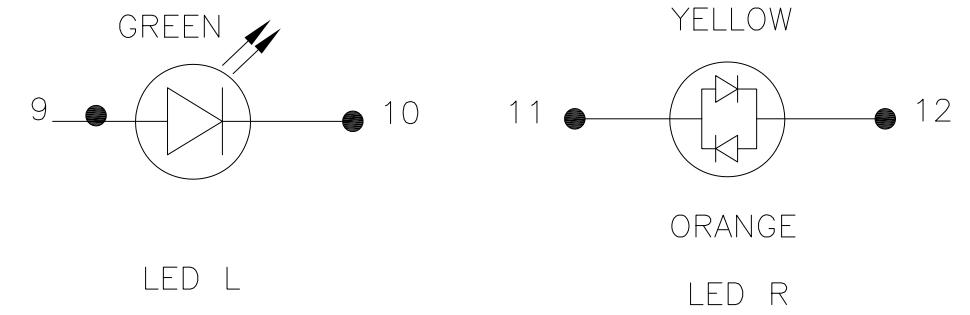


SPECIFICATION NOTES:

- ELECTRICAL:
- VOLTAGE RATING: 125 VAC RMS
 - CURRENT RATING: 1.5 AMP
 - CONTACT RESISTANCE: 30mΩ MAX.
 - INSULATION RESISTANCE: 1000MΩMIN. AT 500V DC.
 - DIELECTRIC STRENGTH: 1000 VAC 50Hz 1MINUTE

- ENVIRONMENTAL:
- STORAGE: -40°C TO +85°C
 - OPERATION: -40°C TO +85°C

- NOTE:
- MATERIAL:
 - HOUSING: PA9T UL94V-0 BLACK
 - CONTACT: 0.46mm DIA COPPER ALLOY
 - SHELL: COPPER ALLOY
 - OPERATING LIFE: 750 CYCLES MIN.
 - MATING FORCE: 22N MAX.
 - FINISH:
 - CONTACT: GOLD PLATED OVER
 - SHELL: NICKEL PLATING OVERALL



RECOMMENDED P.C.B LAYOUT
TOP VIEW (COMPONENT SIDE)

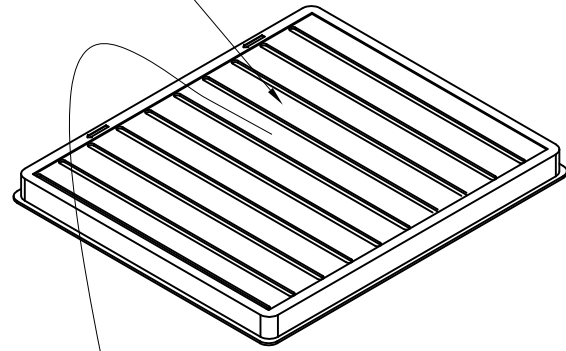
PIN NO.	PIN NAME
1	Transmit +
2	Transmit -
3	Receive +
4	N/A
5	N/A
6	Receive -
7	N/A
8	N/A

71133W9-108A-XXU05
5A: G/F
5C: Au 3u"

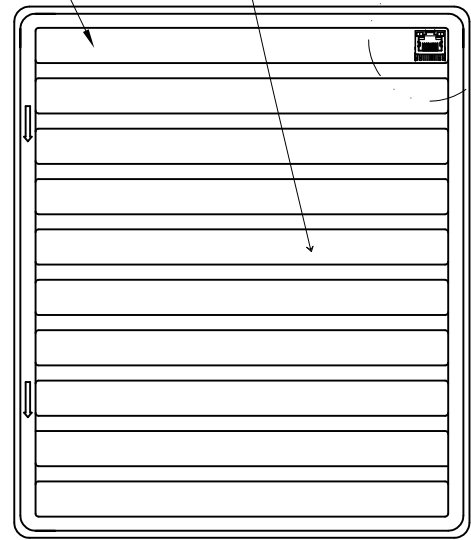
REV.	REVISION RECORD	DATE	GENERAL TOLERANCES		SCALE	NAME	DATE	PART NO.	DWG NO.				
AO	The new version file were released	25.08.06	LINEAR	ANGLES	1:1			71133W9-108A-XXU05	ENDE05				
			0.0±0.35	X° REF±6°	APPROVED								
			0.00±0.25	X° ±3°	DESIGNER								
			UNIT: MM	0.00±0.25	X° ±3°	DESIGNER				TITLE			
			SIZE: A4	0.000±0.15	X° X' ±2°	DRAWN	Xiao	25.08.06		RJ45 8P8C 90° 铜壳 DIP 带灯 PH1.02			
										REV	AO	SHEET	1/2

ROHS2.0

吸塑上盖



吸塑下盖

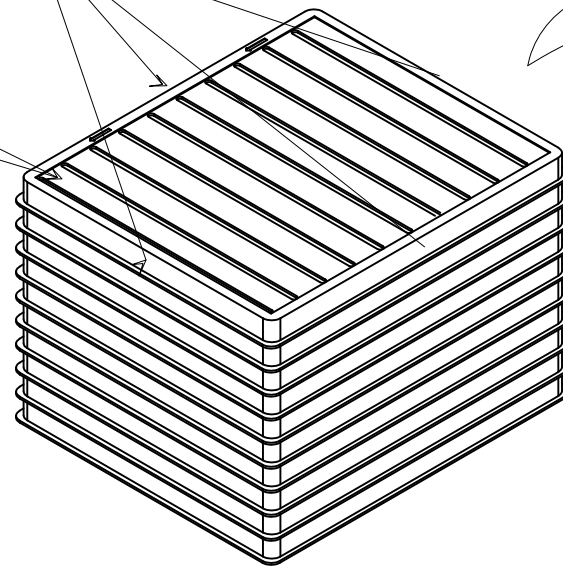


100PCS/盘

盖好吸塑上盖每盘打4颗订书钉

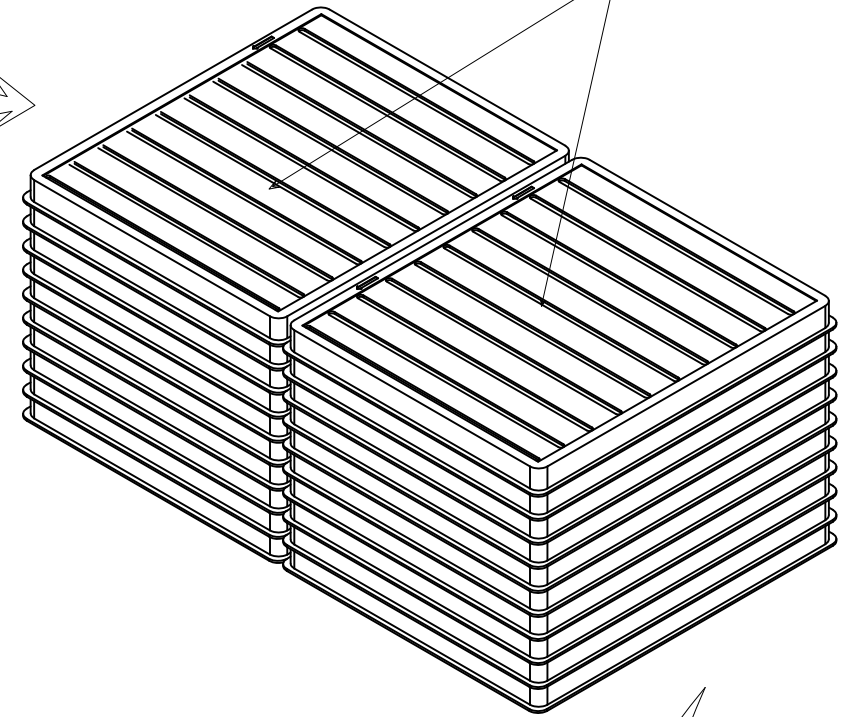


每盘左下角贴ROHS标签

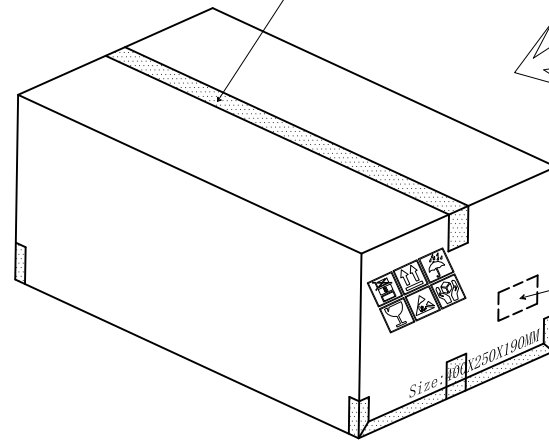


10盘/叠

2叠

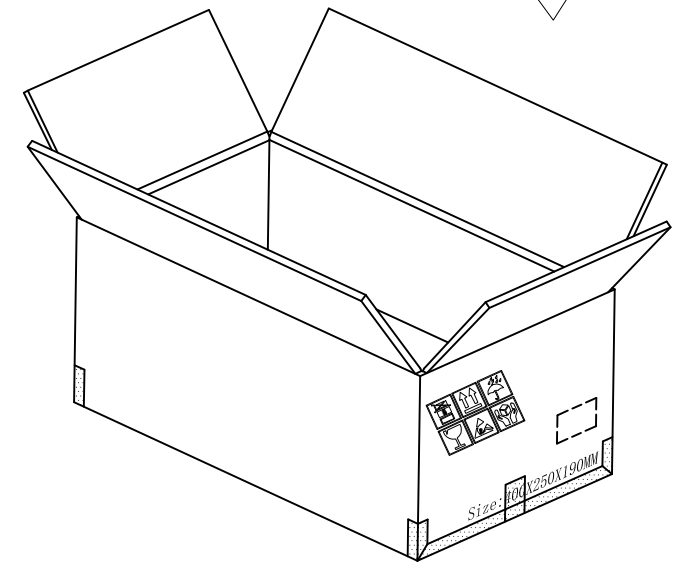


透明胶纸



2000PCS/箱

标签



REV.	REVISION RECORD	DATE		GENERAL TOLERANCES		SCALE 1:1	NAME	DATE	PART NO.	DWG NO.		
AO	The new version file were released	25.08.06		LINEAR	ANGLES	APPROVED				71133W9-108A-XXU05		ENDE05
			0.0±0.35	X° REF±6°	DESIGNER				TITLE			
			UNIT: MM	0.00±0.25	X° ±3°	DRAWN	Xiao	25.08.06	RJ45 8P8C 90° 铜壳 DIP 带灯 PH1.02			
			SIZE: A4	0.000±0.15	X° X' ±2°				REV	AO	SHEET	2/2