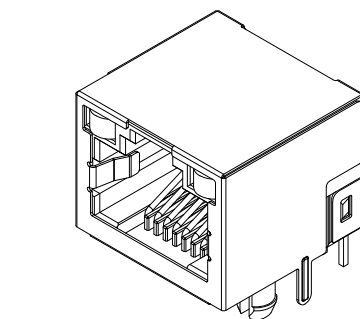
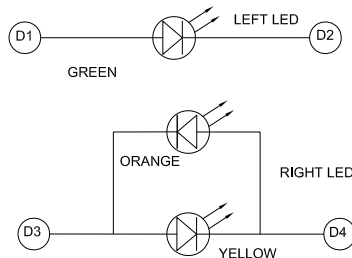
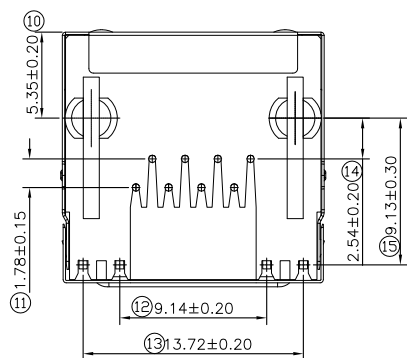
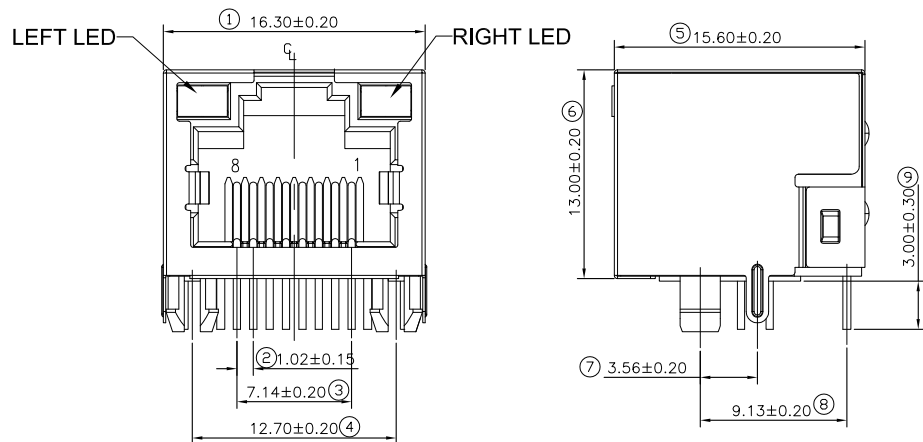


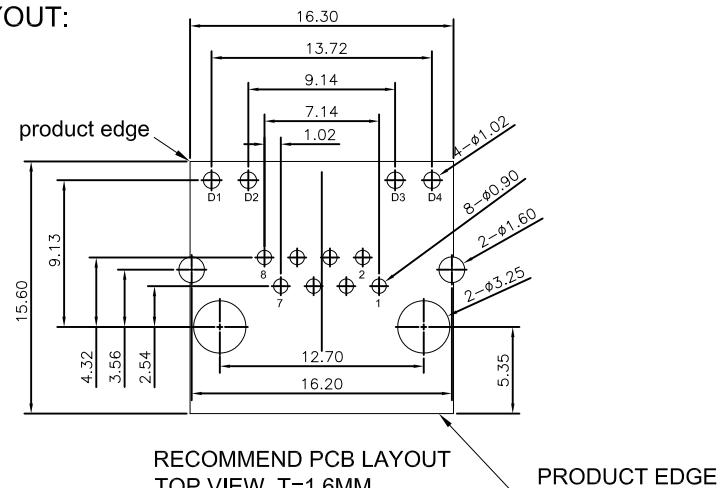
ROHS2.0

DIMENSION:



LED Color	λ P(nm)	VF@IF=20mA	IR @VR=5V
GREEN	565	1.8~2.6 V	10 uA max
YELLOW	595	1.8~2.6 V	10 uA max
ORANGE	605	1.8~2.6 V	10 uA max

PCB LAYOUT:



RECOMMEND PCB LAYOUT
TOP VIEW, T=1.6MM
ALL TOLERANCE ARE:±0.05MM

SPECIFICATION NOTES:

ELECTRICAL:

- VOLTAGE RATING: 125 VAC RMS
- CURRENT RATING: 1.5 AMP
- CONTACT RESISTANCE: 30mΩ MAX.
- INSULATION RESISTANCE: 500MΩMIN. AT 500V DC.
- DIELECTRIC STRENGTH: 1000 VAC 50Hz 1MINUTE

MECHANICAL:

- HOUSING MATERIAL: PBT, BLACK, UL 94V-0 .
- CONTACTS: $\varnothing=0.46$ mm, C51000, GOLD FLASH PLATING OVER NICKEL
- SHIELD: H65 30U MIN NICKEL PLATED OVERALL.
- OPERATING LIFE: 750 CYCLES MIN.
- MATING FORCE: 30N MAX. UNMATING FORCE: 30N MAX.

ENVIRONMENTAL:

- STORAGE: -40°C TO +85°C
- OPERATION: -40°C TO +85°C

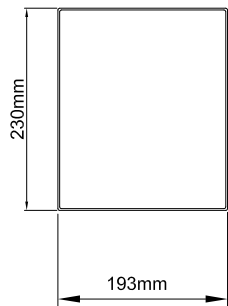
REV.	REVISION RECORD	DATE	GENERAL TOLERANCES	SCALE	NAME	DATE	PART NO.	DWG NO.				
A0	新版本图纸发行	22.08.21	LINEAR	1:1			71033W9-008A-5AU01	ENDE05				
A1	换图框发行	26.01.07	ANGLES	APPROVED								
			0.0 ± 0.30	DESIGNER	/	/	TITLE					
			0.00 ± 0.20	DRAWN	Xiao	26.01.07	5JA, 1X1, 8P8C, 圆针FU, 铜壳无弹带灯					
			0.000 ± 0.10						REV	A1	SHEET	1/2

ROHS2.0

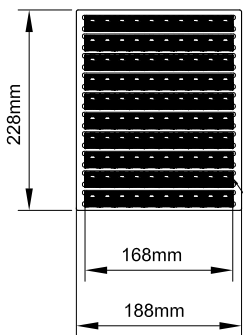


上盖

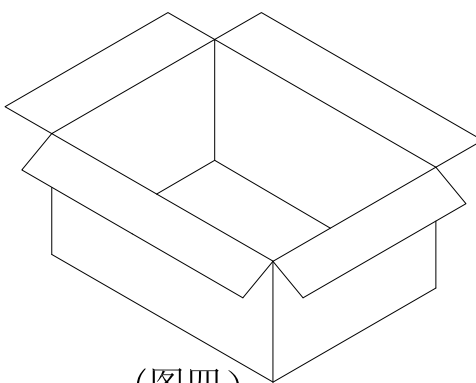
下盖



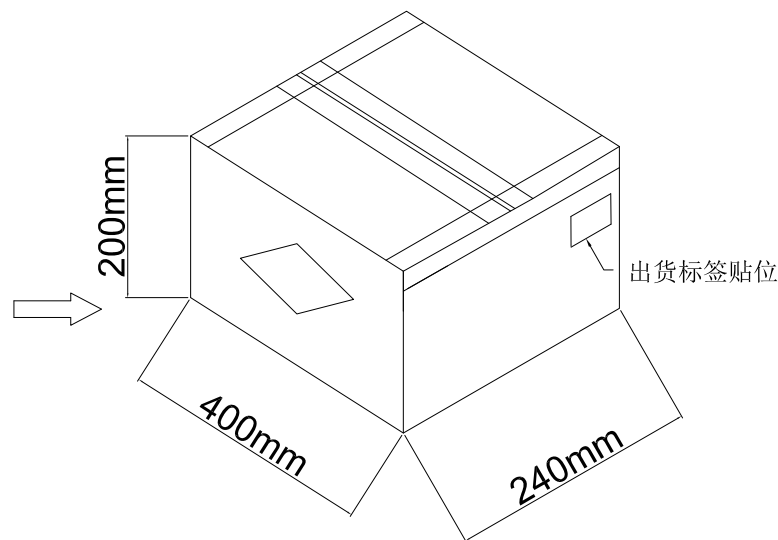
(图一)



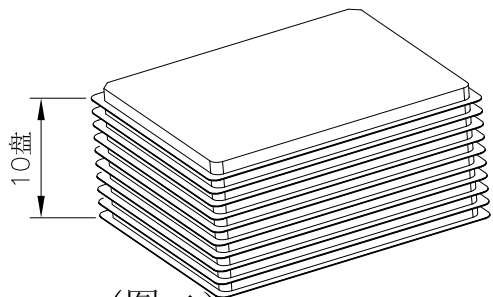
放置100pcs产品
至底盒内并盖上上盖



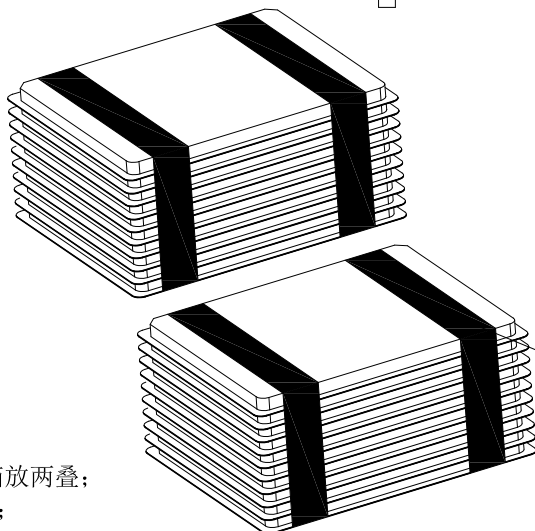
(图四)



(图五)



(图二)



(图三)

拉丝膜

- 数量： 1盘=100Pcs, 10盘一扎
一箱20盘=2000Pcs
- 每盘在右上角帖标签（按客户需求），每10盘为一叠，一箱放两叠；
- 包材脏污破损不可使用，包装过程中注意不可碰伤刮伤产品；
- 外箱字材质为K=K，要求破裂强度为16Kg；

REV.	REVISION RECORD	DATE		GENERAL TOLERANCES		SCALE 1:1	NAME	DATE	PART NO.	DWG NO.		
A0	新版本图纸发行	22.08.21			LINEAR	ANGLES	APPROVED			71033W9-008A-5AU01		ENDE05
A1	换图框发行	26.01.07		0.0±0.30	X° REF±6°	DESIGNER	/	/	TITLE 5JA, 1X1, 8P8C, 圆针FU, 铜壳无弹带灯			
			UNIT: MM	0.00±0.20	X° ±3°	DRAWN	Xiao	26.01.07				
			SIZE: A4	0.000±0.10	X° X' ±2°				REV	A1	SHEET	2/2